

**PLEASE CHECK WWW.MOLEX.COM FOR LATEST PART INFORMATION**

**Part Number:** **0674921224**  
**Status:** **Active**  
**Overview:** serial ata 127 host receptacles  
**Description:** 1.27mm (.050") Pitch Serial ATA Host Receptacle, Right Angle, SMT, Mating Height 6.74mm (.265"), Gold (Au) Flash, Tape on Reel Packaging, 22 Circuits, Lead Free

**Documents:**

[3D Model](#) [Product Specification PS-67492-001 \(PDF\)](#)  
[Drawing \(PDF\)](#) [RoHS Certificate of Compliance \(PDF\)](#)

**General**

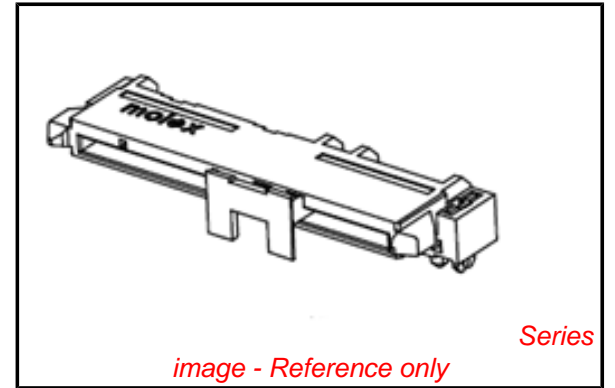
Product Family	PCB Receptacles
Series	<a href="#">67492</a>
Application	Board-to-Board
Comments	With Cap
Overview	<a href="#">serial ata 127 host receptacles</a>
Product Name	Serial ATA

**Physical**

Circuits (Loaded)	22
Circuits (maximum)	22
Color - Resin	Black
Durability (mating cycles max)	500
Glow-Wire Compliant	No
Guide to Mating Part	Yes
Keying to Mating Part	Yes
Lock to Mating Part	None
Material - Metal	Copper Alloy
Material - Plating Mating	Gold
Material - Plating Termination	Tin
Material - Resin	High Temperature Thermoplastic
Number of Rows	1
Orientation	Right Angle
PCB Locator	Yes
PCB Retention	Yes
PCB Thickness Recommended (in)	0.045 In
PCB Thickness Recommended (mm)	1.20 mm
Packaging Type	Embossed Tape on Reel
Pitch - Mating Interface (in)	0.050 In
Pitch - Mating Interface (mm)	1.27 mm
Pitch - Term. Interface (in)	0.050 In
Pitch - Term. Interface (mm)	1.27 mm
Plating min: Mating (µin)	2
Plating min: Mating (µm)	0.05
Plating min: Termination (µin)	50
Plating min: Termination (µm)	1.27
Polarized to Mating Part	Yes
Polarized to PCB	Yes
Stackable	No
Temperature Range - Operating	-35°C to +85°C
Termination Interface: Style	Surface Mount

**Electrical**

Current - Maximum per Contact	1.5A
Voltage - Maximum	15V DC



**EU RoHS**

**ELV and RoHS Compliant**  
**REACH SVHC**  
 Not Reviewed  
**Halogen-Free Status**

**China RoHS**



**Not Reviewed**

**Need more information on product environmental compliance?**

Email [productcompliance@molex.com](mailto:productcompliance@molex.com)  
 For a multiple part number RoHS Certificate of Compliance, [click here](#)

Please visit the [Contact Us](#) section for any non-product compliance questions.

**Search Parts in this Series**

[67492Series](#)

**Mates With**

[87703](#) , [87672](#) Serial ATA Plugs

**Solder Process Data**

Duration at Max. Process Temperature (seconds)	3
Lead-free Process Capability	Reflow Capable (SMT only)
Max. Cycles at Max. Process Temperature	1
Process Temperature max. C	255

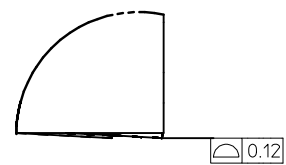
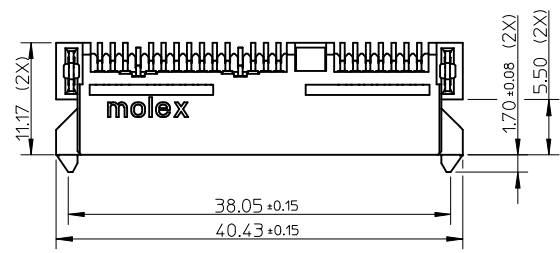
**Material Info****Reference - Drawing Numbers**

Packaging Specification	PK-67492-002
Product Specification	PS-67492-001
Sales Drawing	SD-67492-001

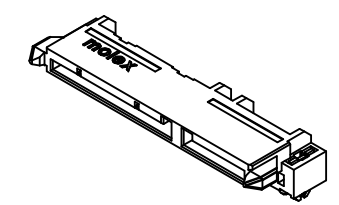
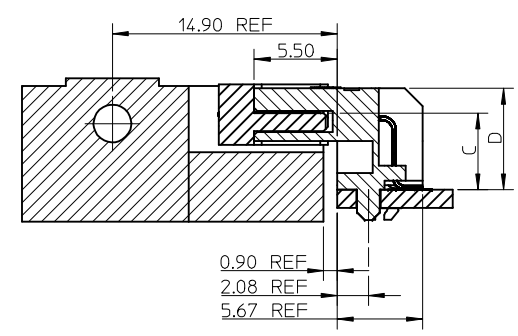
This document was generated on 05/31/2010

**PLEASE CHECK [WWW.MOLEX.COM](http://WWW.MOLEX.COM) FOR LATEST PART INFORMATION**

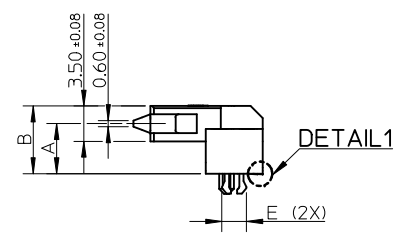
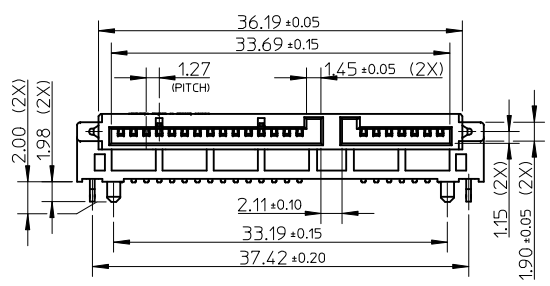
F



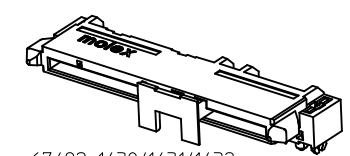
DETAIL1



E

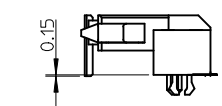
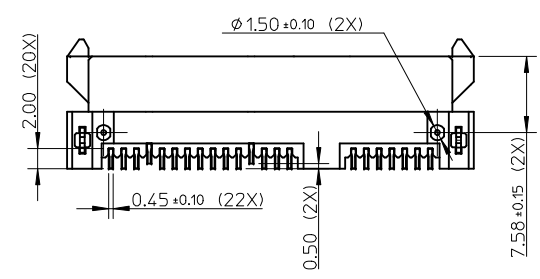


DETAIL1



67492-1430/1431/1432  
/1325/1326/1327  
/1440/1441/1442  
/1224/1225/1226  
/1450/1451/1452.

D



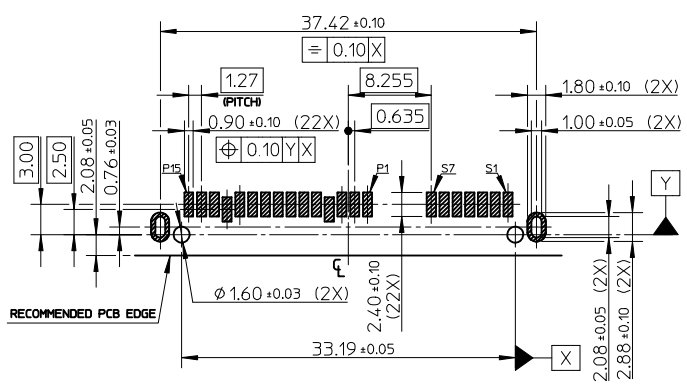
67492-1430/1431/1432  
/1325/1326/1327  
/1440/1441/1442  
/1224/1225/1226  
/1450/1451/1452.

OTHER DIMENSION PER OTHER VIEW

NOTES:

- MATERIAL:  
HOUSING: HIGH TEMPERATURE THERMAL PLASTIC, UL94V-0, COLOR: BLACK;  
TERMINAL: COPPER ALLOY;  
FORKLOCK: COPPER ALLOY.
- TERMINAL PLATING:  
CONTACT AREA:  
(A) GOLD FLASH;  
(B) GOLD, THICKNESS=0.76 MICRONS MINIMUM;  
(C) GOLD, THICKNESS=0.38 MICRONS MINIMUM;  
SOLDER AREA: TIN, THICKNESS=1.27 MICRONS MINIMUM;  
UNDER PLATE: NICKEL, THICKNESS=1.27 MICRONS MINIMUM.
- FORKLOCK PLATING:  
SOLDER AREA: TIN, THICKNESS=1.27 MICRONS MINIMUM;  
UNDER PLATE: NICKEL, THICKNESS=1.27 MICRONS MINIMUM.
- PRODUCT SPECIFICATION: REFER TO PS-67492-001.
- PACKAGING METHOD: TRAY, USE DRYER IN HDPE BAGE TO PREVENT BLISTER.
- MATING PARTS: 87703/87672.
- PRODUCT COMPLIANT TO RoSH DIRECTIVE 2002/95/EC AND ELV DIRECTIVE 2000/53/EC.

B



**RECOMMENDED P.C.B. LAYOUT (THICKNESS=1.2mm)**  
CONNECTOR SIDE

ADD PART NUMBER EC NO: 2009/07/29 DRWN: XQZHANG CHKD: GLLI APPR: XJ.SONG 2009/08/07 2009/09/03	QUALITY SYMBOLS	GENERAL TOLERANCES (UNLESS SPECIFIED)	DIMENSION STYLE	SCALE	DESIGN UNITS	THIRD ANGLE PROJECTION
	▽=0 ▽=0	mm INCH 4 PLACES ± --- ± --- 3 PLACES ± --- ± --- 2 PLACES ± 0.15 ± --- 1 PLACE ± 0.25 ± --- ANGULAR ± 3 °	MM ONLY	1:1	METRIC	
	DRAWN BY: GRATE MA CHECKED BY: YAJUN APPROVED BY: SAM DATE: 2003/10/10 DATE: 2003/10/10 DATE: 2003/10/10	TITLE	SATA HOST RECEPTACLE R/A SMT TYPE			
	MATERIAL NO. SEE SHEET 2 SIZE A3	MOLEX INCORPORATED DOCUMENT NO. SD-67492-001 SHEET NO. 1 OF 2	THIS DRAWING CONTAINS INFORMATION THAT IS PROPRIETARY TO MOLEX INCORPORATED AND SHOULD NOT BE USED WITHOUT WRITTEN PERMISSION			

A

P/N	PLATING	DIM'A'	DIM'B'	DIM'C'	DIM'D'	DIM'E'	REMARK
67492-1420	NOTES 2 (A)	4.15	5.90	4.25	5.90	2.45±0.10	TRAY PACKAGE PK-67492-001
67492-1421	NOTES 2 (B)						
67492-1422	NOTES 2 (C)						
67492-1320	NOTES 2 (A)	3.50	5.25	3.60	5.25	2.45±0.10	
67492-1321	NOTES 2 (B)						
67492-1322	NOTES 2 (C)						
67492-1120	NOTES 2 (A)	1.80	3.55	1.90	3.55	2.45±0.10	
67492-1121	NOTES 2 (B)						
67492-1122	NOTES 2 (C)						
67492-9220	NOTES 2 (A)	4.99	6.74	5.09	6.74	2.45±0.10	
67492-9221	NOTES 2 (B)						
67492-9222	NOTES 2 (C)						
67492-1220	NOTES 2 (A)	4.99	6.74	5.09	6.74	2.45±0.10	TAPE&REEL PACKAGE PK-67492-002
67492-1221	NOTES 2 (B)						
67492-1222	NOTES 2 (C)						
67492-1224	NOTES 2 (A)	4.99	6.74	5.09	6.74	2.33±0.05	TAPE&REEL PACKAGE WITH CAP PK-67492-002
67492-1225	NOTES 2 (B)						
67492-1226	NOTES 2 (C)						
67492-1430	NOTES 2 (A)	4.15	5.90	4.25	5.90	2.45±0.10	TAPE&REEL PACKAGE WITH CAP PK-67492-008
67492-1431	NOTES 2 (B)						
67492-1432	NOTES 2 (C)						
67492-1325	NOTES 2 (A)	3.50	5.25	3.60	5.25	2.45±0.10	
67492-1326	NOTES 2 (B)						
67492-1327	NOTES 2 (C)						
67492-1440	NOTES 2 (B)	4.15	5.90	4.25	5.90	2.33±0.05	
67492-1441	NOTES 2 (A)						
67492-1442	NOTES 2 (C)						
67492-1450	NOTES 2 (A)	4.10	5.85	4.20	5.85	2.33±0.05	
67492-1451	NOTES 2 (B)						
67492-1452	NOTES 2 (C)						

ADD PART NUMBER EC NO: 2009/07/29 DRWN:XQZHANG 2009/08/07 CHKD:GLLI 2009/08/07 APPR:XJ.SONG 2009/09/03	QUALITY SYMBOLS ▽=0 ◻=0	GENERAL TOLERANCES (UNLESS SPECIFIED)		DIMENSION STYLE MM ONLY		SCALE 1:1	DESIGN UNITS METRIC	THIRD ANGLE PROJECTION			
				mm	INCH	DRAWN BY GRATE MA	DATE 2003/10/10	TITLE SATA HOST RECEPTACLE R/A SMT TYPE			
				± ---	± ---	CHECKED BY YA JUN	DATE 2003/10/10				
				ANGULAR ± 3 °		APPROVED BY SAM	DATE 2003/10/10	MOLEX INCORPORATED			
		DRAFT WHERE APPLICABLE MUST REMAIN WITHIN DIMENSIONS		MATERIAL NO. SEE TABLE		DOCUMENT NO. SD-67492-001		SHEET NO. 2 OF 2			